

SCANCORE

Construction Instructions

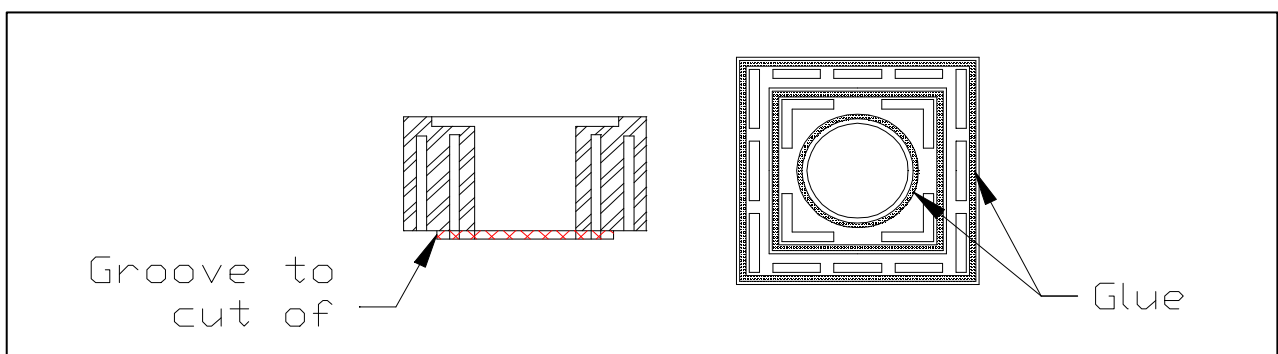
SINGLE BLOCK CHIMNEY

ø15 / ø18 / ø20

BEFORE BUILDING:

- Where do you want to place your chimney and where do you want the soot door to be?
- Be aware that the chimney has to be build straight, no bends allowed.
- You have to have a suitable foundation where you place the chimney.
- The chimney stack is allowed with a free height of 1,75 metres.
- You are not allowed to use steps in a Single Block Chimney.
- We recommend that you finish the outer surface of the blocks above the roof with 2 parts waterproof render.

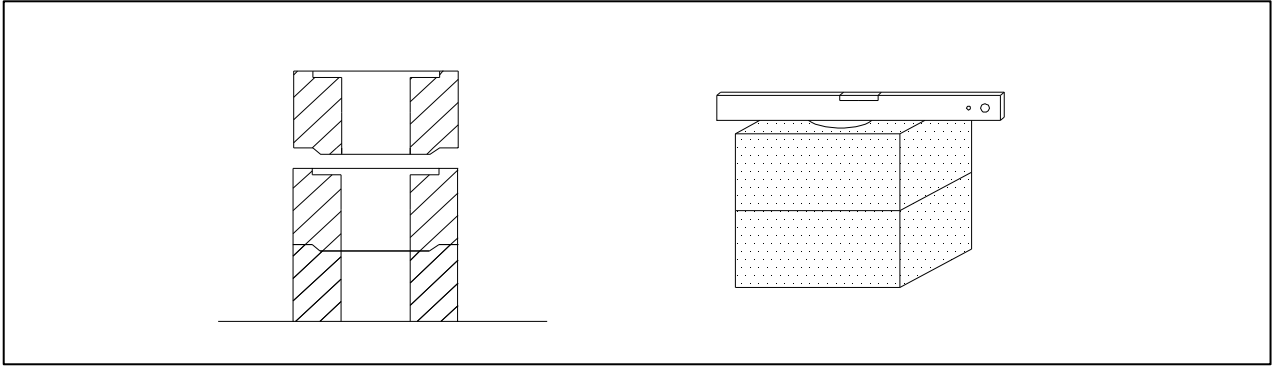
STEP 1:



Place the first block, after you have cut of the groove, onto the foundation using Scancore Lip glue.

Scancore Lip glue is applied to the Single Blocks as shown on the drawing. Make sure the block is level. It is important that the joints are airtight. Remember to remove surplus Lip glue.

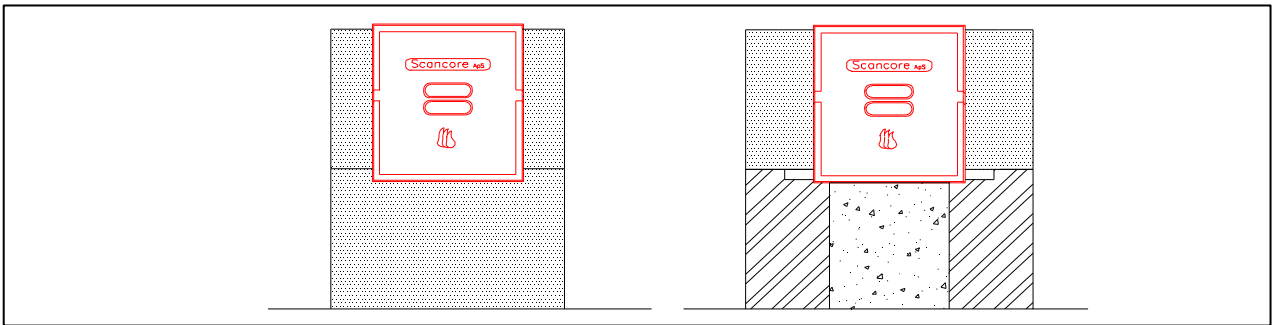
STEP 2:



The next Single Blocks are joined with Scancore Lip glue without cutting of the grooves. Remember to press the block joints firmly together.

After adding each block remove surplus Lip glue and make sure the blocks are level.

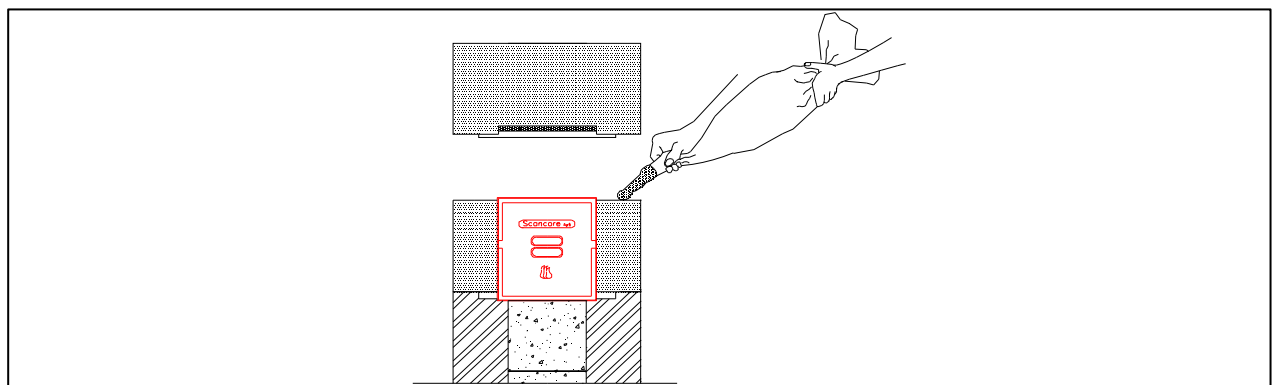
STEP 3:



The Block with the first soot door is fitted in where you want to place it and filled with gravel up until the start of the soot door opening.

When you have completed the chimney you seal the gravel layer with Scancore Lip glue which makes it easy to clean out the soot after sweeping the chimney.

STEP 4:

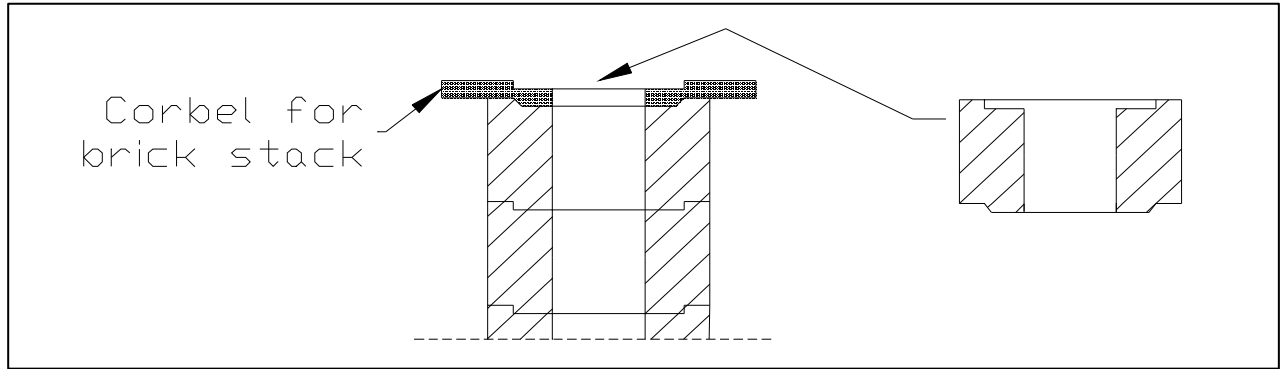


The Fittingblock is put on top of the block with the soot door with the cut out fitted to the edge of the soot door.

Remember to add Lip glue to the joint between the two blocks.

The side of the Fittingblock is isolated in the aircannels.

STEP 5:

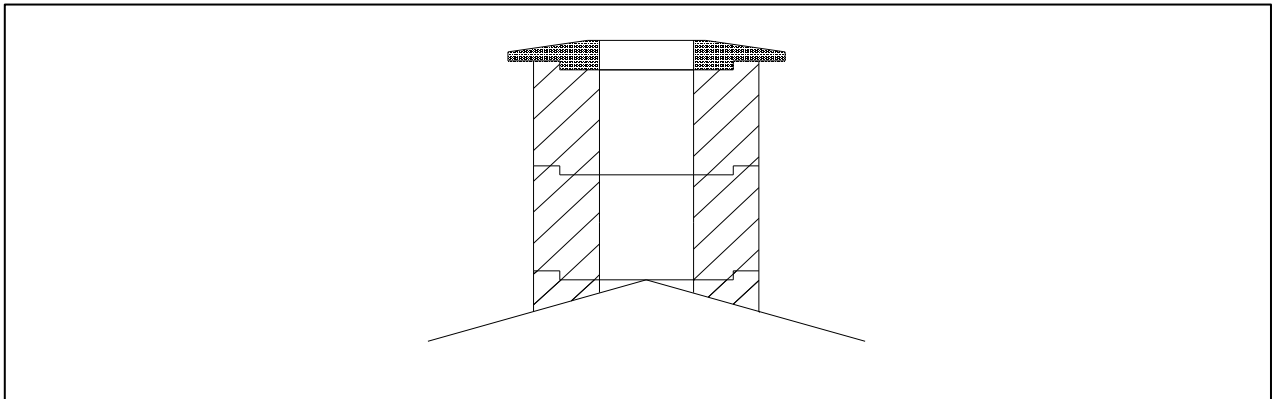


If you want to use a corbel, to take a brick or stonework externally, it is fitted just below the roof and glued to the Single Blocks.

The insulation between the adapterblock and the corbel is not to be removed.

After that you continue as before.

STEP 6:



When the chimney has reached the desired height you fit the Capping on top of the last Single Block with Lip glue.

The chimney can be used after two days, the time it takes to be sure that the glue has hardened.

FIRE REGULATIONS:

Building Regulations must be adhered to, but in general our chimney approvals allow the following:

Minimum distance to flammable material is 0 mm, however the chimney must be accesible for external inspection.